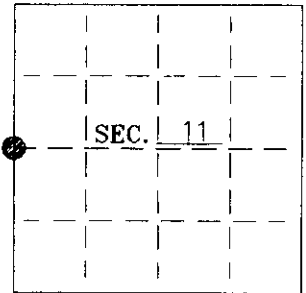


U. S. PUBLIC LAND SURVEY MONUMENT RECORD

Note: This form is intended and designed to fulfill all requirements of Wisconsin Administrative Code—Chapter A-E 7.08 U. S. Public Land Survey Monument Record (3)(a)(b)(c)(d)(e)(f)(g)(h)(i). An additional sheet may be added if necessary to conform with said requirements.

(a) CORNER LOCATION: State Plane Coordinates
 West 1/4 corner of Sec. 11 X _____
 Township 39 North Y _____
 Range 4 East Datum Base _____
 Town Minocqua County of Oneida



(b) HISTORY OF ORIGINAL CORNER ESTABLISHMENT:
 Original Surveyor: A Anderson
 Date of Survey: Commenced May, 1865
 Completed May, 1865

Original B.T.'S

Pine 18 S40°E 27 links
 Tamarack 12 S50°W 57 links

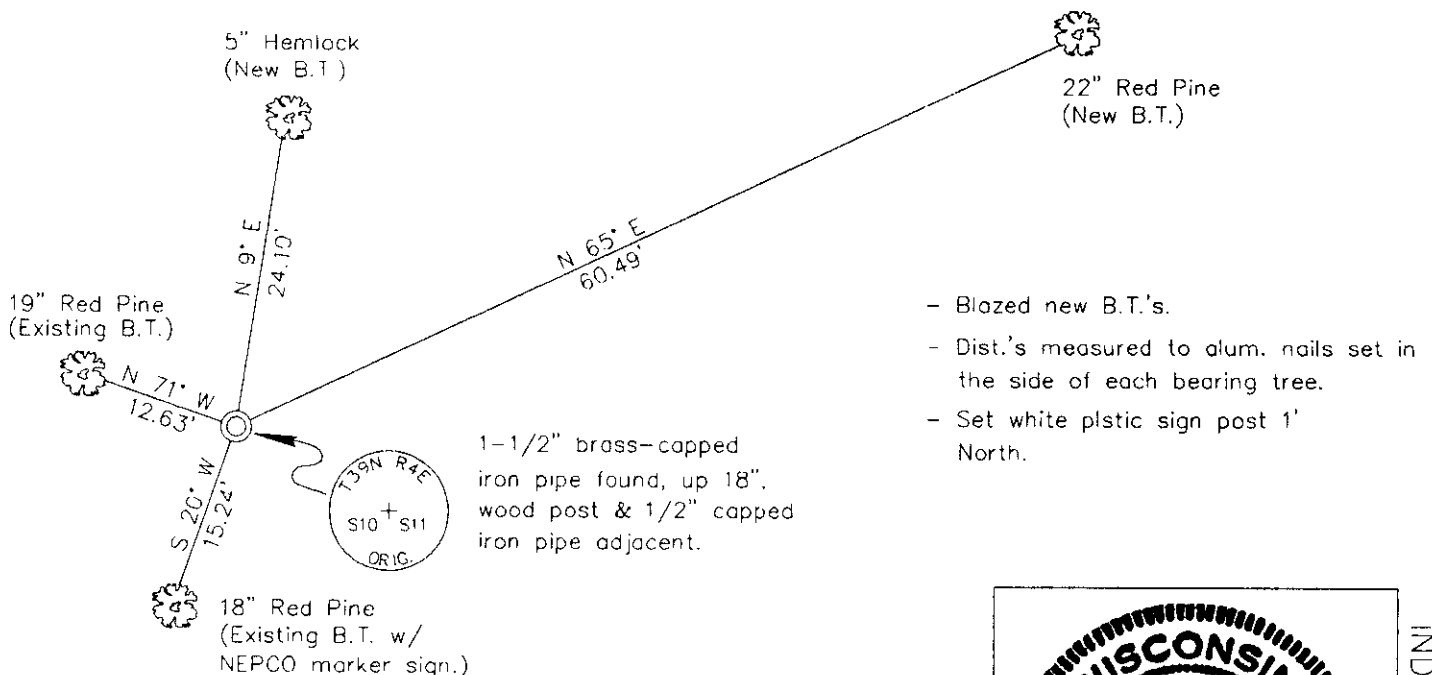
(b)(f)(g)(h) Description of monument found at this corner and if it was accepted—state all evidence (material—testimonial—occupation—plats—records—other monuments) used as a basis for accepting. If not accepted or if nothing was found state evidence used as basis for establishing location. If reestablished through lost corner proportionate methods indicate all monuments—distances and directions used to establish. Indicate type of monument and sign post found or set.

1865— Alex Anderson set quarter section post and made B.T.'s.

1989— NEPCO survey field notes show William Stuth accepted positions for both the W1/4 and the meander corner North on the south shore of Clear Lake. He called both corners original and measured 558.36' between them.

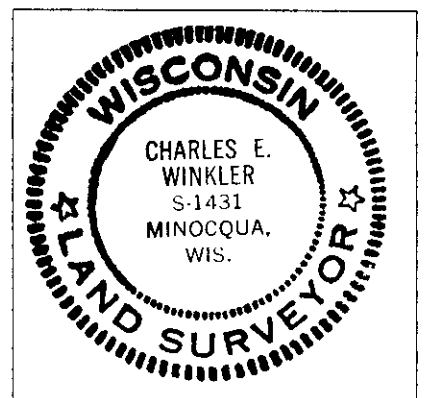
1998— I found brass-capped iron pipes at the W1/4 and M.C. locations, measured 557.12' between them. I accepted the brass cap and made Bt.'s. as shown below.

(c)(d)(e) Plan view of corner with ties to at least 4 witness monuments. If in disagreement with previously established corner—show the distances between the two corners and also indicate the ties to the disputed.



(j) I Charles E. Winkler S-1431 hereby certify that the corner location on this record was determined by me or under my direction and control and that this U.S. Public Land Survey Monument Record is correct and complete to the best of my knowledge and belief.

Signature Charles E. Winkler Date 7/9/1999
 Foltz and Associates, Inc.



INDEX NO. G 17

3904102000