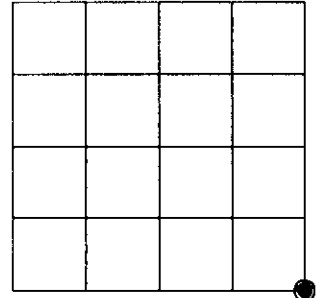


U.S. PUBLIC LAND SURVEY MONUMENT RECORD

Note: This form is intended and designed to fulfill all requirements of Wisconsin Administrative Code, Chapter A-E 7.08 U.S. Public Land Survey Monument Record (3)(a)(b)(c)(d)(e)(f)(g)(h)(i). An additional sheet may be added if necessary to conform with said requirements.

(a) CORNER LOCATION:

Southeast corner of Sec. 16 State Plane Coordinates
 Township 39 North X _____
 Range 4 East Y _____
 Town/City/Township Minocqua Datum Base _____
 County of Oneida



(b) HISTORY OF ORIGINAL CORNER ESTABLISHMENT

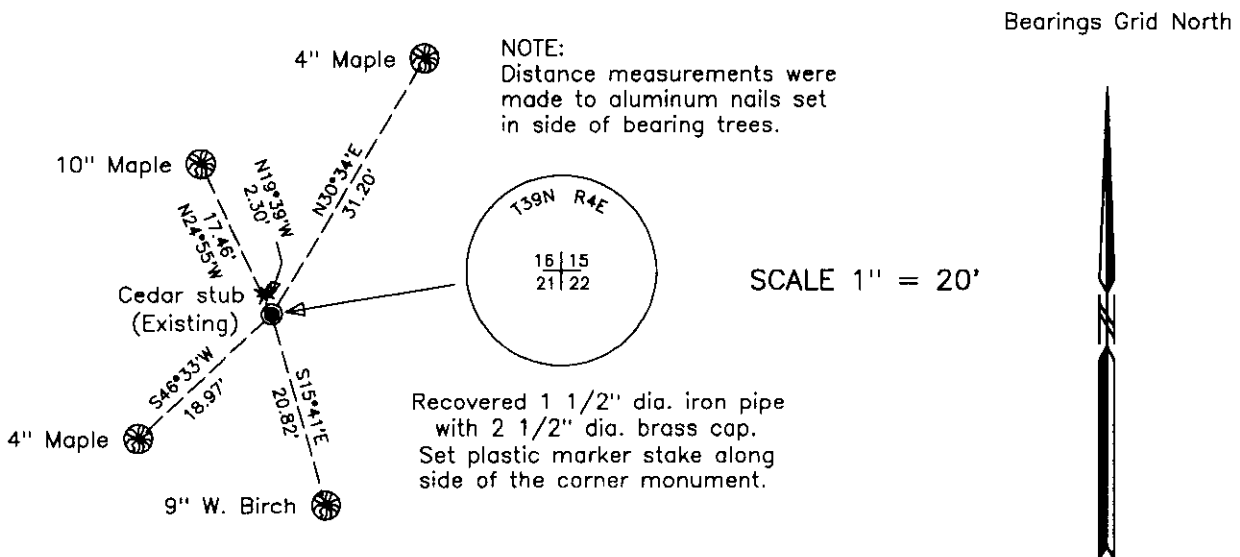
Original Surveyor: Alex Anderson Original B.T.'S SECTION 16
 Date of Survey: Commenced May 9th, 1865 Linden 6" N79°E, 13 links
 Completed May 22nd, 1865 Linden 8" N68°W, _____

(f)(g)(h) Description of monument found at this corner and if it was accepted, state all evidence (material, testimonial, occupational, plats, records, other monuments) used as a basis for establishing location. If not accepted or if nothing was found, state evidence used as basis for establishing location. If reestablished through lost corner proportionate methods, indicate all monuments, distances and directions used to establish. Indicate type of monument and sign post found or set.

December, 1957 – William Stuth and Ken Voyt, surveying for NEPCO, notes for a staff compass and chain survey in Section 21, using corners found, show a non-descriptive monument for this corner located 78.75 chains (5197.5 feet) from the northwest corner of Section 21.

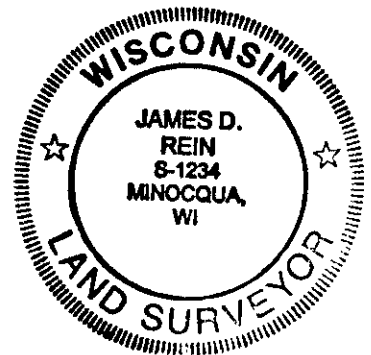
March 3, 1993 – James D. Rein, Registered Land Surveyor No. 1234, we recovered a brass capped iron pipe and Cedar bearing tree as described in plan view. Our measurement west to the section corner is 5182.48 feet, thus I accept this monument as the best evidence of the corner, and make additional reference ties as shown in the plan view.

(c)(d)(e) Plan view of corner with ties to at least 4 witness monuments. If in disagreement with previously established corner, show the distance between the two corners and also indicate the ties to the disputed corner.



(i) I, James D. Rein, Registered Land Surveyor No. 1234, hereby certify that the corner location on this record was determined by me or under my direction and control and that this U.S. Public Land Survey Monument Record is correct and complete to the best of my knowledge and belief.

James D. Rein March 17, 1993
 Signature Date



3904160000

INDEX NO. N 13