

U.S. PUBLIC LAND SURVEY MONUMENT RECORD

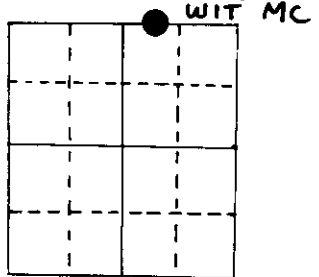
Note: This form is intended and designed to fulfill all requirements of Wisconsin Administrative Code, Chapter A-E 5.02, U.S. Public Land Survey Monument Record (3) (a) (b) (c) (d) (e) (f) (g) (h) (i). An additional sheet may be added if necessary to conform with said requirements.

(a) Corner location: Township 39 North

Range 7 East

Town Woodruff of WOODRUFF

County Oneida



Section 9

2" iron pipe with W.C.D. brass cap

(b) (f) (g) (h) Description of monument found at this corner and if it was accepted, state all evidence (material, testimonial, occupational, plats, records, other monuments) used as a basis for accepting. If not accepted or if nothing was found, state evidence used as basis for establishing location. If reestablished through lost corner proportionate methods, indicate all monuments, distances and directions used to establish.

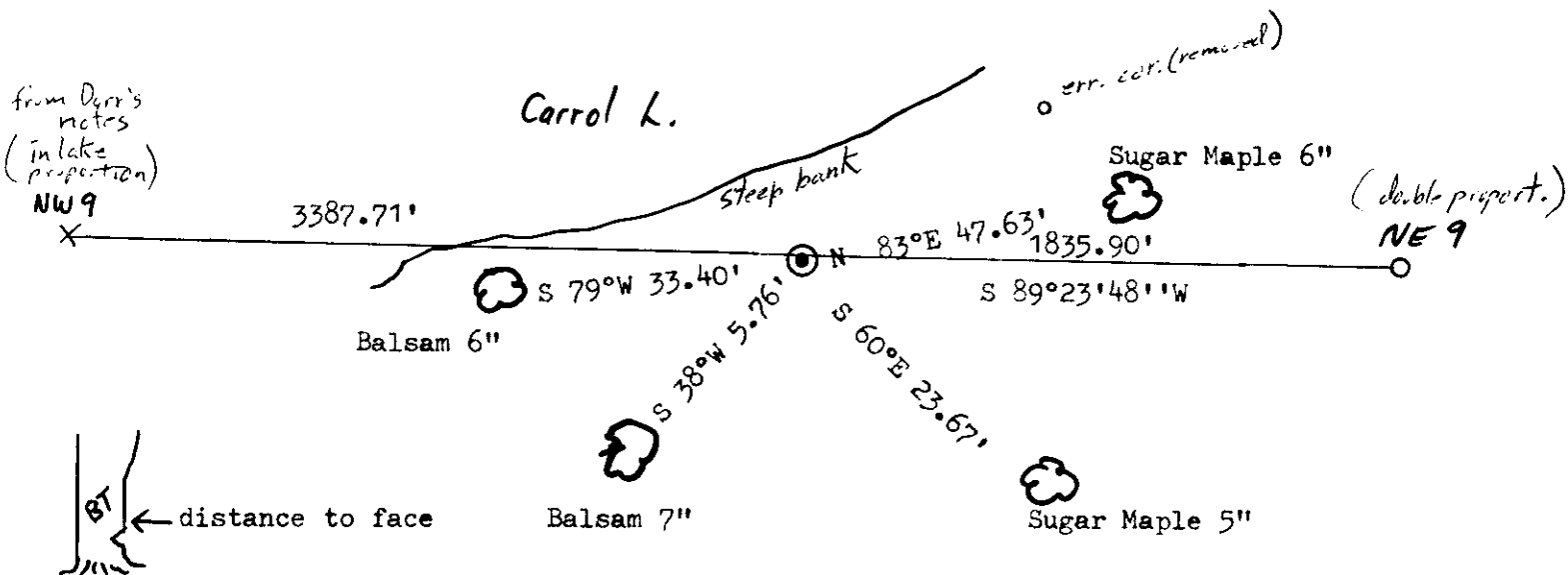
Original Alex Anderson Sept 1863. OBT'S Heml 10" S 65°E 21 lks, Heml 7" S 26°W 18 lks at 34.00 ch west of NE cor.

Seymour & Freund on 9/12/83 reset Berndts erroneous pipe. (S 53° 57'04" W 39.98') Berndts (WCD) monuments in Sec. 8, 4, 9, 10, ~~proportioned wrong.~~

Wit. was set on line between NW 9 in lake and NE 9 (proportioned) at 1835.90' west of NE 9

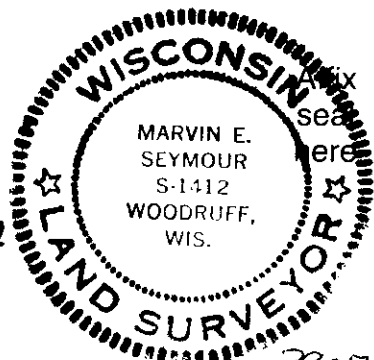
BT's made.

(c) (d) (e) Plan view of corner with ties to at least 4 witness monuments. If in disagreement with previously established corner, show the distances between the two corners and also indicate the ties to the disputed corner.



(i) I, Marvin E. Seymour
 (type or print name) certify that the corner location on this record was determined by me or under my direction and control and that this U.S. Public Land Survey Monument Record is correct and complete to the best of my knowledge and belief.

Marvin E. Seymour April 11, 1984
 Signature Date



3907040014

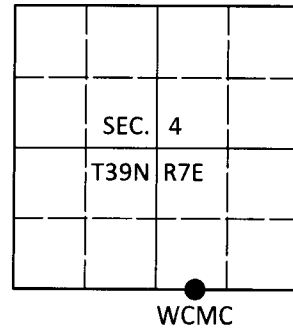
E-12

U.S. PUBLIC LAND SURVEY MONUMENT RECORD

Note: This form is intended and designed to fulfill all requirements of Wisconsin Administrative Code, Chapter A-E 7.08 U.S. Public Land Survey Monument Record (3)(a-i).

(a) CORNER LOCATION
 Wit. Meander Cor. of Secs. 4 & 9
 Township 39 North
 Range 7 East of the 4th P.M.
 Town of Woodruff
 County of Oneida

WISCRS - Oneida County
 N: 256,769.66 USft
 E: 211,038.09 USft
 Datum: NAD 83(2011)
 GNSS Method: RTN - Offset
 GNSS Control: WISCORS VRS



(b) HISTORY OF ORIGINAL CORNER ESTABLISHMENT

Original Surveyor:

Original Accessories:

Date of Survey Commenced:
 Completed:

See previous USPLS Monument Record

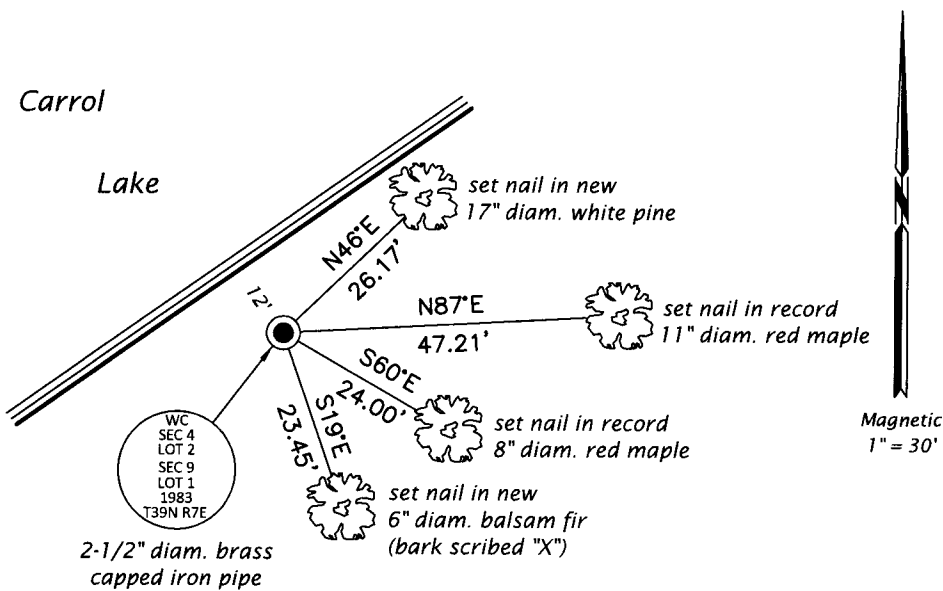
(b)(f)(g)(h) Description of monument found at this corner and if it was accepted, state all evidence (material, testimonial, occupational, plats, records, other monuments) used as a basis for accepting. If not accepted or if nothing was found, state evidence used as basis for establishing location. If re-established through lost corner proportionate methods, indicate all monuments, distances and directions used to establish. Indicate type of monument and sign post found or set.

This is a perpetuation of a previous USPLS Monument Record by Marvin E. Seymour, RLS dated Apr. 11, 1984 and filed in the office of the Oneida County Register of Deeds. A complete history of the corner can be found on the previous monument record. I accept the previous location as a true and faithful perpetuation or reestablishment of the original corner location and further perpetuate it as follows.

Jan. 15, 2019: I found and accepted the record monument, a 2-1/2" diam. iron pipe with a 3" diam. WCD brass cap projecting 10" above the ground surface. The record bearing trees at S79°W and S38°W are standing dead. I found or established accessories as shown below. I was unable to set a sign post due to frost.

The coordinate value shown has been verified by at least one of the following methods: 1) comparison to a previously GPS determined published value; 2) the value is the average of two or more GPS observations at a markedly different time; 3) one or more distances were measured back to the GPS observed corner from temporary GPS observed offset locations.

(c)(d)(e) Plan view of corner with ties to at least 4 witness monuments. If in disagreement with previously established corner, show the distances between the two corners and also indicate the ties to the disputed.



REGISTER OF DEEDS OFFICE
 ONEIDA COUNTY
 FILED

FEB 19 2019

KYLE J. FRANSON
 REGISTER OF DEEDS

(i) I, Jeffrey W. Austin, Professional Land Surveyor No. S-1885, hereby certify that the corner location on this record was determined by me or under my direction and control and that this U.S. Public Land Survey Monument Record is correct and complete to the best of my knowledge and belief.

[Handwritten Signature]
 Signature

29 JAN 2019
 Date