

## U.S. PUBLIC LAND SURVEY MONUMENT RECORD

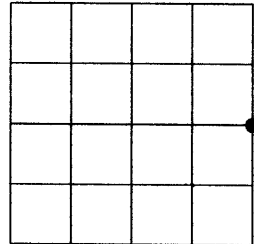
Note: This form is intended and designed to fulfill all requirements of the Wisconsin Administrative Code, Chapter A-E 7.08 U.S. Public Land Monument Record (3)(a)(b)(c)(d)(e)(f)(g)(h)(i). An additional sheet may be added if necessary to conform with said requirements.

**(a) CORNER LOCATION:**

east quarter of Section 4  
 Township 39 North  
 Range 9 East  
 Town of Sugarcamp  
 County of Oneida

**COORDINATES**

North:  
 East:  
 Control Station:  
 Latitude:  
 Longitude:  
 Datum Method



SECTION 4

**(b) HISTORY OF ORIGINAL CORNER ESTABLISHMENT**

Original Surveyor: W.E. Daugherty  
 Date of Survey: Commenced, September 1863  
 Completed, September 1863

Original B.T.'S  
 W. Pine 7" dia. S51°W 28 links  
 Birch 10" dia. N28°E 20 links

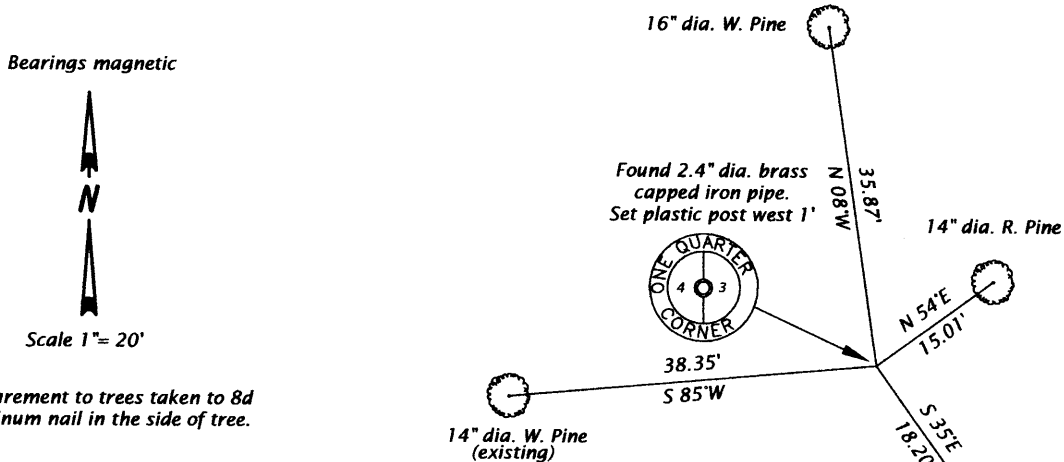
(f)(g)(h) DESCRIPTION OF MONUMENT FOUND AT THIS CORNER AND IF IT WAS ACCEPTED, STATE ALL EVIDENCE (MATERIAL, TESTIMONIAL, OCCUPATIONS, PLATS, RECORDS, OTHER MONUMENTS) USED AS A BASIS FOR ESTABLISHING LOCATION. IF NOT ACCEPTED OF IF NOTHING WAS FOUND, STATE EVIDENCE USED AS BASIS FOR ESTABLISHING LOCATION. IF REESTABLISHED THROUGH LOST CORNER PROPORTIONATE METHODS, INDICATE ALL MONUMENTS, DISTANCES AND DIRECTIONS USED TO ESTABLISH. INDICATE TYPE OF MONUMENT AND SIGN POST FOUND OR SET.

*Original Surveyor: W.E. Daugherty, south corrected between Sections 3 and 4 at 22.74 chains set quarter post.*

*F.H. Copp(WCD): 5/24/77, Set D.N.R. brass capped iron pipe for quarter corner on line between the southwest and northwest Section Corners, and made the following bearing trees, N. Pine 18" dia. S40E 17.4' and W. Pine 12" dia. S82W 38.0'.*

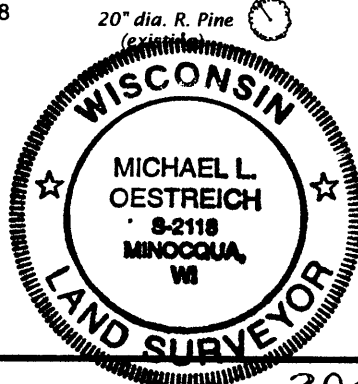
*Michael L. Oestreich: 11/16/04, recovered a D.N.R. brass capped iron pipe, and made ties to bearing trees as shown in the plan below.*

(c)(d)(e) PLAN VIEW OF CORNER WITH TIES TO AT LEAST 4 WITNESS MONUMENTS. IF IN DISAGREEMENT WITH PREVIOUSLY ESTABLISHED CORNER, SHOW THE DISTANCE BETWEEN THE TWO CORNERS AND ALSO INDICATE THE TIES TO THE DISPUTED CORNER.



(i) I, MICHAEL L. OESTREICH, REGISTERED LAND SURVEYOR NO. S-2118 HEREBY CERTIFY THAT THE CORNER LOCATION ON THIS RECORD WAS DETERMINED BY ME OR UNDER MY DIRECTION AND CONTROL AND THAT THIS U.S. PUBLIC LAND SURVEY MONUMENT RECORD IS CORRECT AND COMPLETE TO THE BEST OF MY KNOWLEDGE AND BELIEF.

*Michael L. Oestreich* 12/6/04  
 SIGNATURE DATE



INDEX NO. C 13

3909042000